

Description

BP2364XN is a high precision non-isolated APFC buck LED driver, specially designed for universal mains with constant current control. BP2364XN operates in Critical Conduction Mode to reduce the switching loss and optimize the EMI.

BP2364XN remove the VCC capacitor, COMP capacitor and R_{CS} resistor to simplify the external BOM. And it utilizes specific current detection with the feedback error amplifier to drive a high efficiency LED system and protect the LED system in over temperature.

BP2364XN offers full protection functions to increase the system reliability, including LED load short protection. The system reliability is further improved by the thermal regulation function which can reduce the LED current when the temperature is in condition of over temperature.

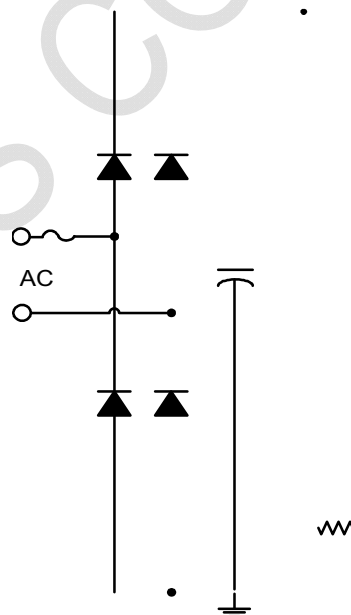
Features

- Active-PFC for High PF and Low THD
- No VCC and COMP capacitor
- Critical Conduction Mode Operation
- Short Protection
- (OVP resistor ADJ)
- Switch Control Enable function is compatible with and sensor light
- Cycle by Cycle Current Limit
- Thermal Regulation Function
- Available in ASOP8 Package

Applications

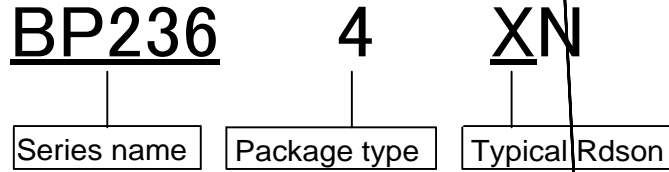
- LED Bulb
- LED Tube
- Other LED Light

Typical Application





Naming rules



Ordering Information

Part Number	Package	Package Method	Ordering Information
BP2364XN	ASOP8	Tape 5,000 pcs/Reel	BP2364 XXXXXN ZZZWWX

Pin Configuration and Marking Information

DB..

Disclaimer

The information provided in this datasheet is believed to be accurate and reliable. However, Bright Power Semiconductor (BPS) does not warrant or make any representation with respect to the accuracy or reliability of the information provided in this datasheet. BPS provides information in this datasheet "AS IS" and with all faults and makes no warranty, express or implied, including but not limited to the accuracy of the information provided in this datasheet or the reliability of a specific purpose, or non-infringement of intellectual property rights of BPS or any other third party. BPS disclaims any liability for any damages, including consequential or incidental damages.

BPS CONFIDENTIAL